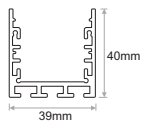


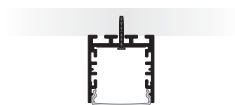
TETRA SLICK

Aluminium Profile

- TETRA SLICK aluminium profile system ideal for linear LED lighting applications.
- Accessories for surface and pendant applications.
- Variety of accessories for different corner and line extensions.
- Available also in black, white or different RAL colours upon request.



SURFACE



PENDANT

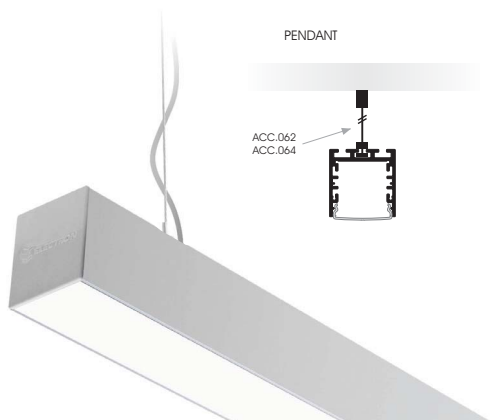
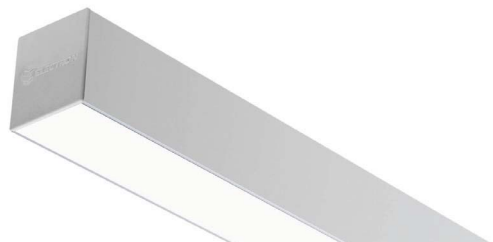
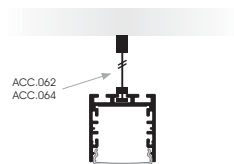

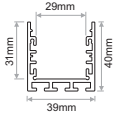

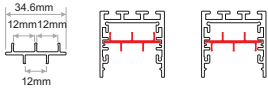

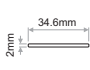



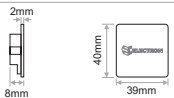



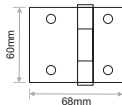

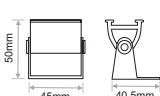

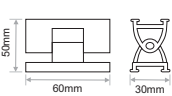

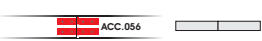







Image	Code	Description	Length	Design-Detail
	PRF.130	TETRA SLICK alum.prof. / Anodized	2m	
	PRF.030	DUAL BAND SLIDING BASE	2m	
	ELA.016	ALUMINIUM SLIDING BASE (Thickness 2mm)	2m	
	COV.008 COV.009 COV.020	PMMA SATIN COVER PMMA CLEAR COVER PMMA MICROPRISMATIC COVER	2m 2m 2m	
	CAP.092	END CAP		
	ACC.062 ACC.064	CEILING SUSPENSION INSTALLATION 150cm CEILING SUSPENSION INSTALLATION 300cm		
	ACC.070	HINGE		
	ACC.083	ECO BRACKET		
	ACC.074	180 DEGREE BRACKET		
	ACC.056	EXTENSION LINE		
	ACC.057	90° CORNER EXTENSION		
	ACC.058	60° CORNER EXTENSION		
	ACC.059	45° CORNER EXTENSION		